

TS-480HX/480SAT EXTENDED FUNCTION

■ Type (Market Code) Settings (TX-RX unit : X57-663X-XX A/2)

| CPU type | Mass-production market code type | Chip resistor settings | | | |
|----------|----------------------------------|------------------------|------------|------------|------------|
| | | R216 (1kΩ) | R217 (1kΩ) | R218 (1kΩ) | R219 (1kΩ) |
| K | K | No | No | No | No |
| K2 | | No | No | No | Yes |
| H | | Yes | Yes | Yes | Yes |
| E | E | No | Yes | Yes | No |
| E2 | | No | Yes | No | No |
| E3 | | No | No | Yes | No |
| E4 | | Yes | No | Yes | No |

Table 1

■ RX Frequency Range

| Type | RX frequency (Hz) | |
|------|--|---------------|
| | 1.9M, 3.8M, 7M, 10M 14M, 18M, 21M, 24M, 28M | 50M |
| K | 30k ≤ f < 30M | 30M ≤ f < 60M |
| K2 | | |
| H | | |
| E | | |
| E2 | | |
| E3 | | |
| E4 | | |

Table 2

■ TX Frequency Range

| Type | TX frequency (Hz) | | | | | | | | | |
|------|----------------------|--------------------------------------|--------------------|-----------------------|----------------------|--------------------------|----------------------|------------------------|--------------------|----------------------|
| | 1.9M | 3.8M | 7M | 10M | 14M | 18M | 21M | 24M | 28M | 50M |
| K | 1.8M ≤ f < 2M | 3.5M ≤ f < 4M | 7M ≤ f < 7.3M | 10.1M ≤ f < 10.15M | 14M ≤ f < 14.35M | 18.068M ≤ f < 18.168M | 21M ≤ f < 21.45M | 24.89M ≤ f < 24.99M | 28M ≤ f < 29.7M | 50M ≤ f < 54M |
| K2 | 1.705M ≤ f < 2M | 3.1M ≤ f < 4.1M | 6.9M ≤ f < 7.5M | 9.9M ≤ f < 10.5M | 13.9M ≤ f < 14.5M | 17.9M ≤ f < 18.5M | 20.9M ≤ f < 21.5M | 24.4M ≤ f < 25.5M | 28M ≤ f < 30M | |
| H | 1.8M ≤ f < 1.825M | 3.5M ≤ f < 3.55M 3.79M ≤ f < 3.8M | 7M ≤ f < 7.1M | 10.1M ≤ f < 10.15M | 14M ≤ f < 14.35M | 18.068M ≤ f < 18.168M | 21M ≤ f < 21.45M | 24.89M ≤ f < 24.99M | 28M ≤ f < 29.7M | |
| E | 1.81M ≤ f < 2M | 3.5M ≤ f < 3.8M | | | | | | | | 50M ≤ f < 52M |
| E2 | 1.83M ≤ f < 1.85M | | | | | | | | | 50M ≤ f < 50.2M |
| E3 | 1.81M ≤ f < 1.85M | | | | | | | | | 50M ≤ f < 52M |
| E4 | | | | | | | | | | 50.2M ≤ f < 51.2M |

Table 3

■ TX Frequency Range Expansion

1. Turn the transceiver OFF. Then disconnect the DC cable from the transceiver.
2. Remove the top case.
3. Loosen the 4 screws to remove the shield cover.

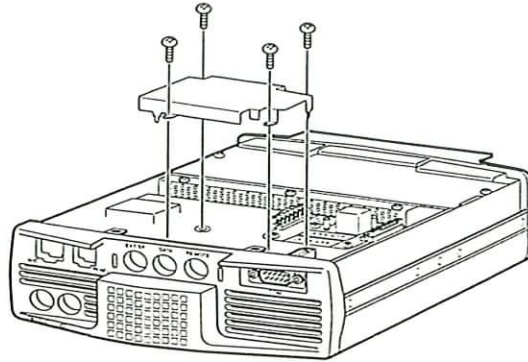


Fig. 1

4. Remove the chip resistor R221 (1kΩ) to be mounted on the component side (near the microcomputer IC204) of the TX-RX unit (A/2).

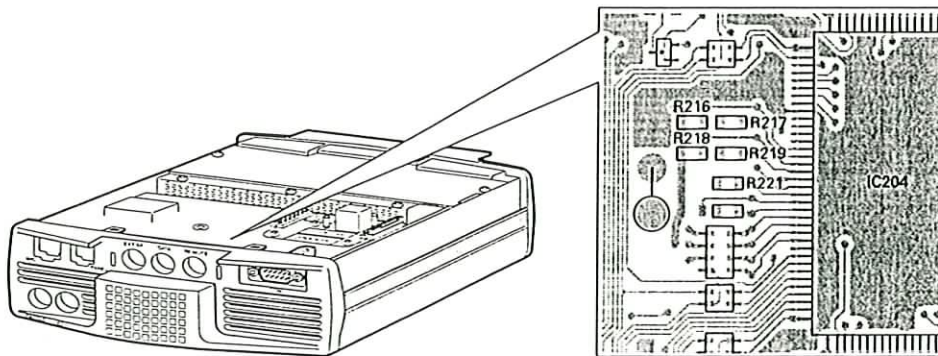


Fig. 2

5. Reinstall the shield cover removed in step. 3 above in its original position and tighten the 4 screws.
6. Reconnect the DC cable, which was disconnected in step.1, to the transceiver.
7. Turning the transceiver ON after the above extension, the transceiver performs full reset, by itself.
All memory contents and menu settings are initialized to the factory default values.

■ TX Frequency Range Expansion

| Type | TX frequency (Hz) | |
|-------------------------|--|-------------------------------|
| | HF | 50M |
| K, K2, H, E, E2, E3, E4 | $1.705\text{M} \leq f \leq 30\text{M}$ | $49\text{M} < f < 54\text{M}$ |

Table 4