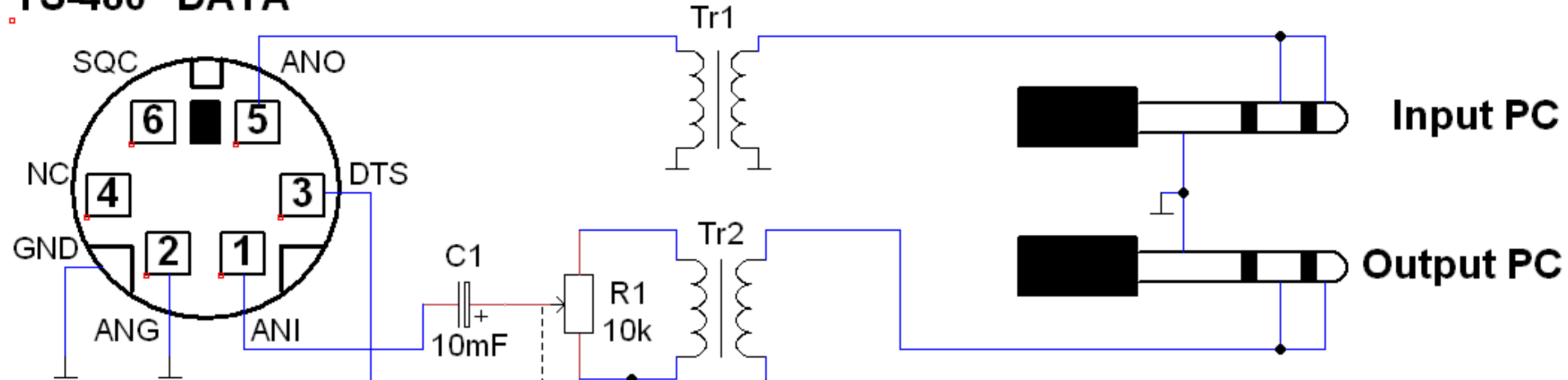


# TS-480 - PC control interface

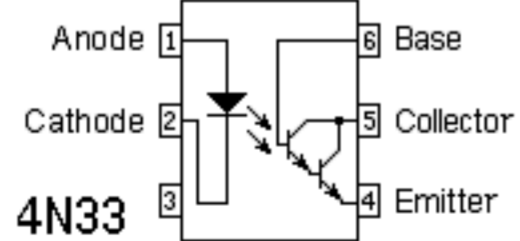
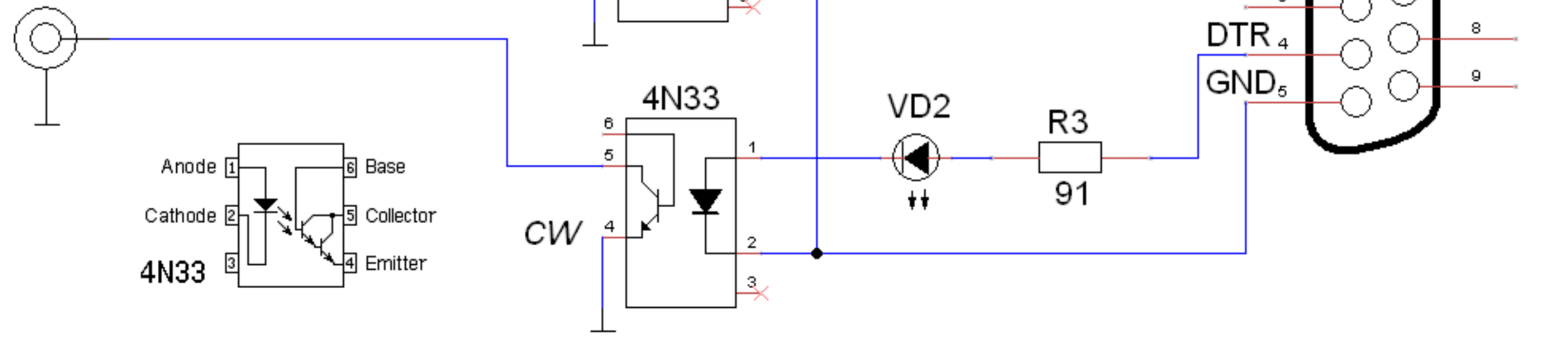
(by Alex YL3BU)

## TS-480 "DATA"



- p1 - ANI - Audio input from TNC
- p2 - ANG - Audio signal ground
- p3 - DTS - Ground this to transmit
- p4 - NC - No connection
- p5 - ANO - Audio output for TNC
- p6 - SQC - Squelch status
- Metal cover - GND - Ground

## TS-480 "KEY"



Title TS-480 - PC control interface		
Author Alex YL3BU HamRadio		
File :s\HamRadio\TS-480\TS-480_connect_to_PC.dsn	Document 1	
Revision 1.0	Date 2012.06.26	Sheets 1 of 1